



Product images are for illustration purposes only. Actual product(s) may vary.

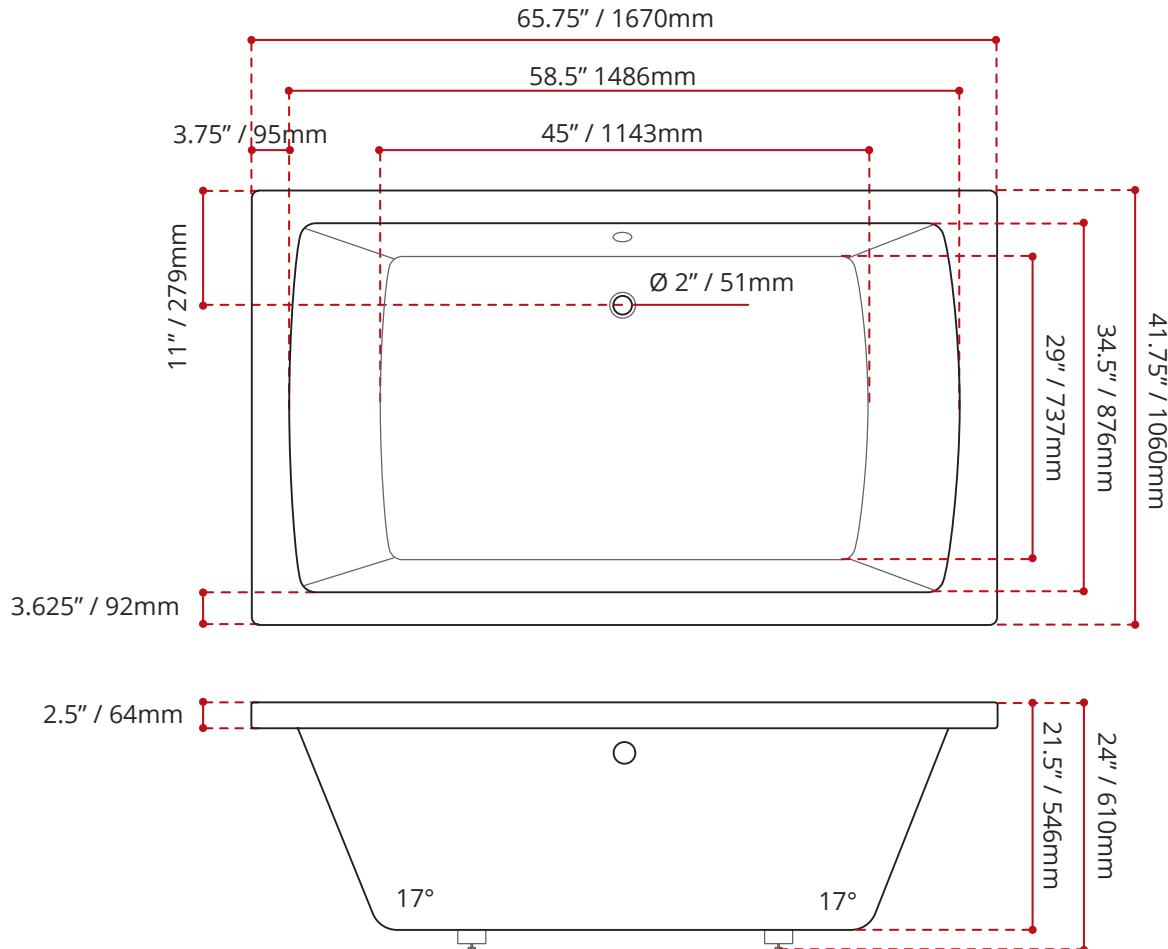
WHITE FINISH
MODEL No.
3881

BLACK FINISH	BISCUIT FINISH
MODEL No.	MODEL No.
3882	3883
<i>COLOUR OPTIONS ARE MADE TO ORDER - NO REFUND - NO RETURN -</i>	

DIMENSIONS	WATER DEPTH	CAPACITY
<ul style="list-style-type: none"> • Length: 65.75" / 1670mm • Width: 41.75" / 1060mm • Height: 24" / 610mm 	17" / 432mm Drain to overflow	97 gal. 367 litres of water

PRODUCT INFORMATION:	
• Modern style	• Drop-in installation
• Off-set center Drain	• High gloss / Crack-resistant acrylic
• Made in Canada	• Complies with CSA & IAPMO standards

SHIPPING INFORMATION:	
• Length: 68" / 1727mm	• Net Weight: 31 kg / 68 lbs
• Width: 48" / 1219mm	• Gross Weight: 36 kg / 79 lbs
• Height: 26" / 660mm	



DISCLAIMER: Measurements may vary ± 1/4" (Diagram Not to scale)



CUSTOMIZE YOUR TUB

ALL UPCHARGE OPTIONS ARE MADE TO ORDER - NO REFUND - NO RETURN -

AVAILABLE CUSTOMIZATION OPTIONS	MODEL No.
TEXTURED BOTTOM	C4
12FT. ADD-ON TILING FLANGE	C6
INTEGRAL MOLDED TILING FLANGE	C7
TEXTURED BOTTOM + 12FT. ADD-ON TILING FLANGE	C46
TEXTURED BOTTOM + INTEGRAL MOLDED TILING FLANGE	C47

JETTING OPTIONS

ALL EXPERIENCES ARE MADE TO ORDER - NO REFUND - NO RETURN -

MODEL No.	DESCRIPTION
E15	16 LATERAL AIR JETS (CHROME) + 1 ROUND LIGHT (WHITE) + 6 THIN LINE TURBO JETS (CHROME)
E33	16 AIR ILLUSION JETS + 2 ROUND LIGHTS (WHITE) + 6 STANDARD THIN LINE JETS (WHITE)
E56	16 SANTE AIR JETS (WHITE) + 1 ROUND LIGHT (WHITE) + 6 STANDARD THIN LINE JETS (WHITE)
E75	16 ZEN AIR JETS (CHROME) + 2 ROUND LIGHTS (WHITE) + 6 SQUARE STANDARD JETS (CHROME)
M16	4 V-MASSEUSE + 16 AIR ILLUSION JETS + 2 ROUND LIGHTS (WHITE)
M33	4 WHIRLPOOL V-MASSEUSE + 16 LATERAL AIR JETS (CHROME) + 1 ROUND LIGHT (WHITE)
062	6 REGULAR WHIRLPOOL WATER JETS - BRUSHED NICKEL
032	16 SANTE AIR JETS (WHITE FINISH) + 1 ROUND LIGHT (WHITE FINISH)

*FOR MORE EXPERIENCES, JETTING OPTIONS & ACCESSORIES
PLEASE REFER TO THE JETTING GUIDE*

HOW TO CREATE THE MODEL NUMBER

When configuring a bathtub please follow the correct order of the configuration options.

COLOUR OPTION + CUSTOMIZATIONS + JETTING OPTIONS

Let's break down an example — Here is Model No.

3881C4E56

3881C4E56 (OV OCD6642DI WHITE FINISH)

3881**C4**E56 (TEXTURED BOTTOM)

3881C4**E56** (JETTING OPTION)

OV OCD6642DI WHITE FINISH + TEXTURED BOTTOM + 16 SANTE AIR JETS (WHITE) +
1 ROUND LIGHT (WHITE) + 6 STANDARD THIN LINE JETS (WHITE)